

High performance Raman Probe

ATR20105
ATR20107

FEATURES

- Raman probe for 785, 1064, 532, 830, 473 nm exciting laser
- OD > 8
- Stainless-steel focused probe
- Steel jacketed fiber
- High temperature reliability

GENERAL DESCRIPTION

ATR20105 and ATR20107 Raman probe is specified for Raman spectrometer with 785 nm or other wavelength excited sources. The probe can be used to test liquid, powder and solid samples.

APPLICATIONS

- Raman spectrometer



ATR20105



ATR20107

1. Specifications

Optical Parameters	Specs	Comment
Working distance	6 mm ± 0.5 mm	
Rayleigh scattering resistance	OD>8	
Raman signal fiber	200/220 um multimode fiber 0.22NA with SMA905 connection	Fiber coupled
Laser fiber	105/125 um multimode fiber 0.22NA with FC/PC or SMA905 connection	Fiber coupled
Fiber length	2 m or customized	
Probe diameter	Φ7 mm	

2. Dimensions (Unit: mm)

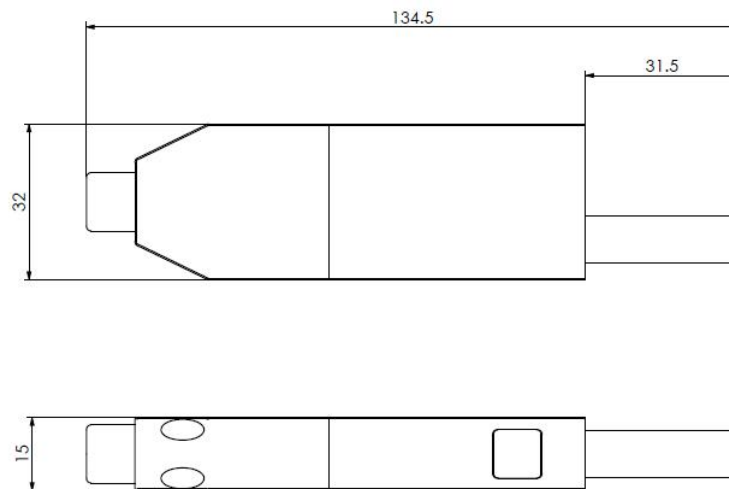


图 1 The size of with the protect shell. The 31.5mm stainless steel probe can be customized to any long (longer, shorter or 90° bend).

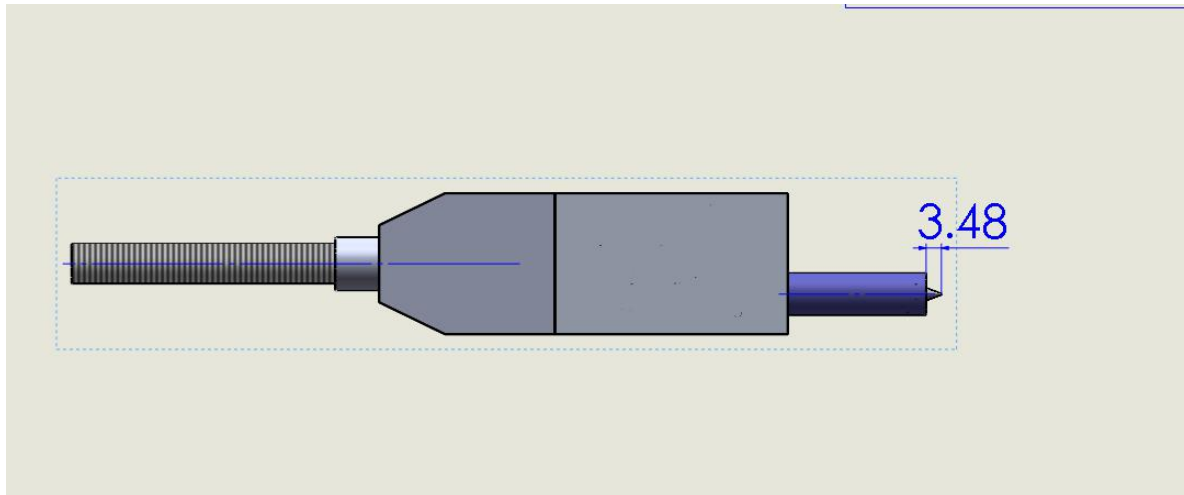
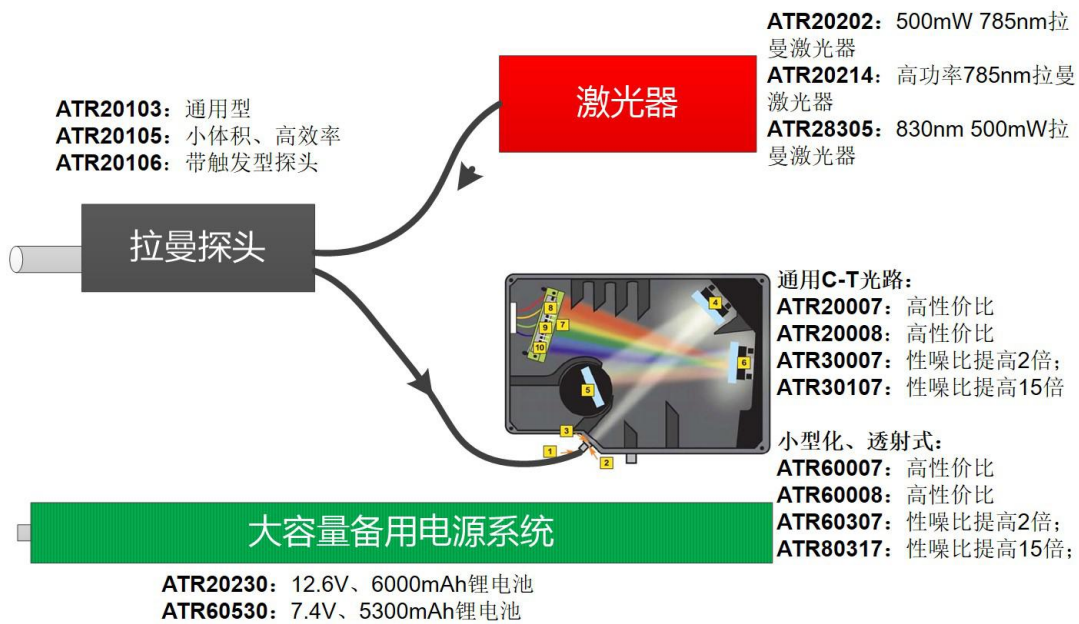


图 2 The focus point position of ATR20105 and ATR20107

3.Application







4. ATR20105 Order Guide



Order No	Spectral region
ATR20105-785	For 785 nm Raman Spectrometer
ATR20105-1064	For 1064 nm Raman Spectrometer
ATR20105-532	For 532 nm Raman Spectrometer
ATR20105-830	For 830 nm Raman Spectrometer
ATR20105-473	For 473 nm Raman Spectrometer

5. ATR20107 Order Guide



图 3 ATR20107, the gun-type Raman probe. The parameters is the same as ATR20105

Order No	Spectral region
ATR20107-785	For 785 nm Raman Spectrometer
ATR20107-1064	For 1064 nm Raman Spectrometer
ATR20107-532	For 532 nm Raman Spectrometer
ATR20107-830	For 830 nm Raman Spectrometer
ATR20107-473	For 473 nm Raman Spectrometer

6. Contract Information

1503 Blding A04, 3rd Software Park, Jimei, Xiamen, 361005, China

Tel: +86-592-6102588

Email: sales@optosky.com

www.optosky.com